



EXP15

1500kg Automatic Pallet Truck

Your Simple Mover



- **World's first automatic pallet truck EXP15= EPT20-15ET+ Automation**
- **Application Scenario: Ideal solution for repetitive and high-intensity point-to-point goods transfer.**
- **Simple Operation: Anyone can learn how to operate in 5 minutes with just 5 buttons.**
- **Simple Setup: No WiFi or complex systems needed. Touch-and-go for instant use anywhere.**
- **Simple Process: Affordable and accessible solution for businesses of all sizes starting automation.**
- **Simple Service: No specialist engineers required.**
- **Multi-task Function: Offer great flexibility and adaptability in various handling environments by learning up to 10 transportation tasks and easy switch.**



| Manufacturer | | | EP |
|----------------------------------|-------|------|------------------------------------|
| Model designation | | | EXP15 |
| Drive | | | Electric |
| Load capacity | Q | kg | 1500 |
| Load center distance | c | mm | 600 |
| Service weight | | kg | 230 |
| Overall width | b1/b2 | mm | 636 (650) (700) |
| Fork dimensions | s/e/l | mm | 55/150/1150 |
| Turning radius | Wa | mm | 1400 |
| Travel speed, laden/unladen | | m/s | 1.1/1.25 |
| Max. gradeability, laden/unladen | | % | 5/5 |
| Battery voltage/nominal capacity | | V/Ah | 24/60 |
| Safety protection | | | 180° Lidar Emergency stop button |
| Positioning | | | 2D visual navigation |
| Parking accuracy | | mm | ±20 |
| Navigation accuracy | | mm | ±20 |

FEATURE

As the first of its kind- world's first automatic pallet truck - EXP15 represents a revolution in warehouse automation. EXP15 embodies the principle of “Innovation through Simplicity” , offering a touch-and-go solution that eliminates complexity from material handling operations. As your business evolves, the EXP15 evolves with you—making it the perfect partner for anyone.



■ Simplicity

Simple Operation

One worker. Five minutes. Five buttons. That's all it takes to master the EXP15. EXP15 puts the power of automation in everyone's hands. Any worker can confidently operate it, No special training or robotics expertise needed.

Simple Sales Process

The EXP15 offers an affordable entry point into automation, ideal for businesses taking their first steps into robotics. Perfect for repetitive transport tasks, it addresses fundamental material handling needs. EXP15 is a solution for businesses of all sizes—simple enough to master quickly, yet powerful enough to solve real challenges.

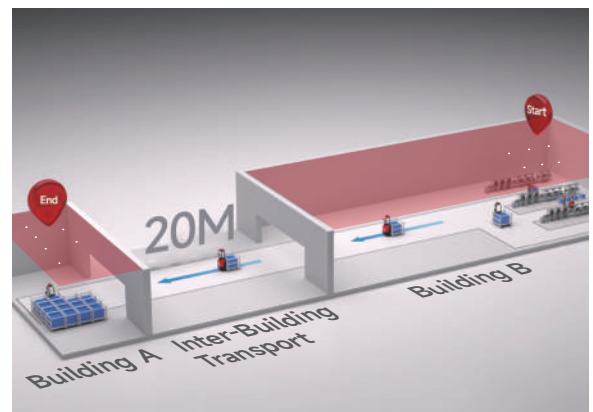


Simple Setup

Free yourself from IT constraints with the EXP15' simple setup. No WiFi connection, no complex IT system, and no specialized engineers needed—just place reflectors at your start and end points for paths up to 50 meters, and you're ready to go. EXP15's touch-and-go solution makes automation accessible to all.

Simple Service

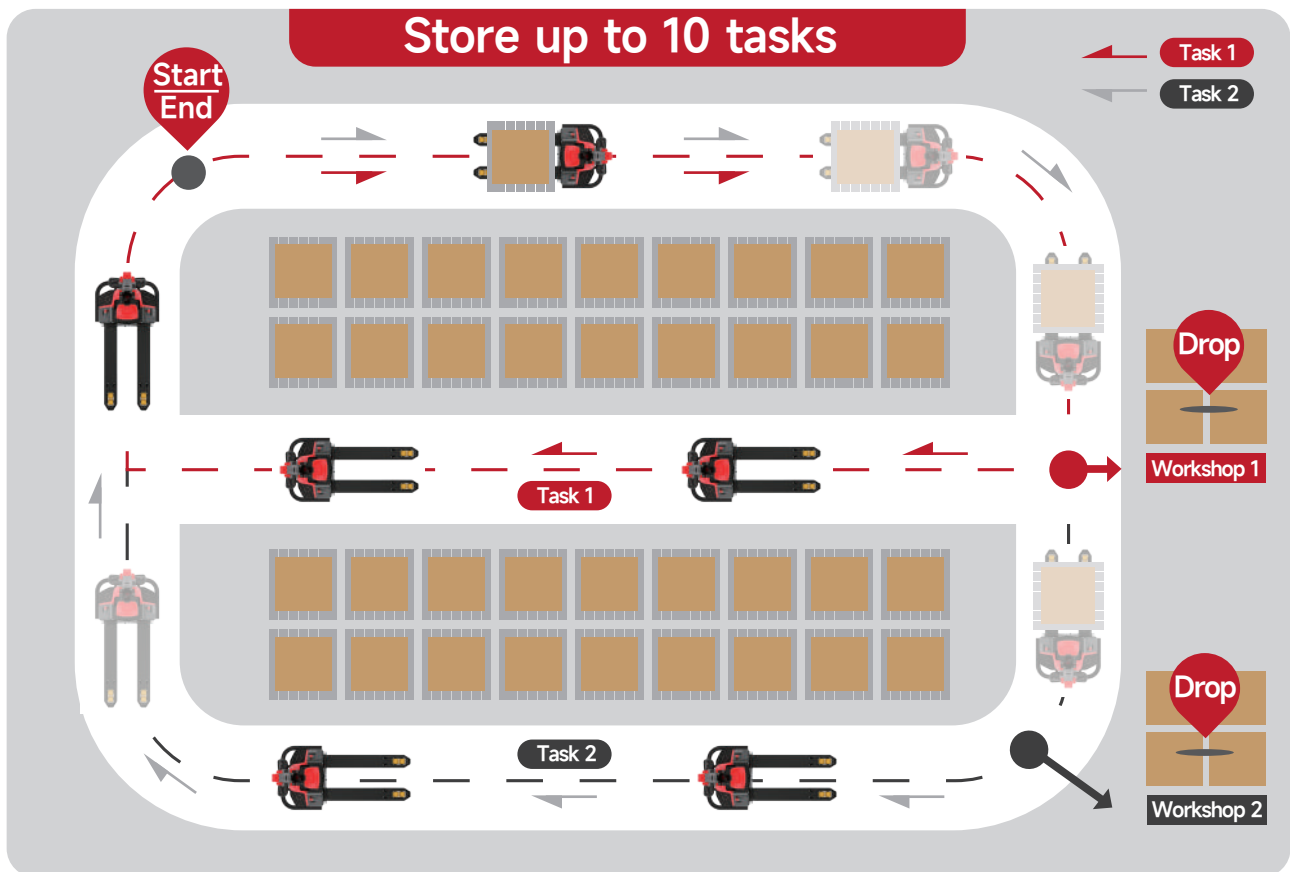
Experience maintenance as simple as an electric pallet truck, but with the capabilities of a robot. No robotics engineers or specialized technicians required.



FEATURE

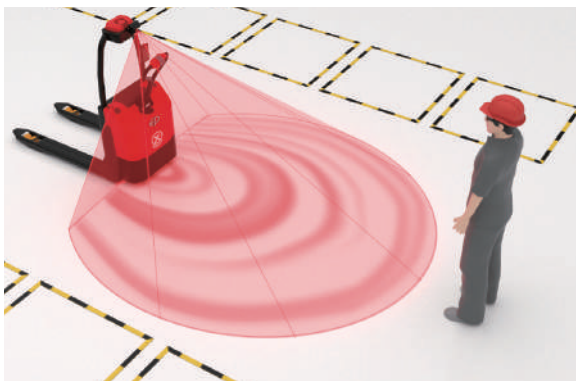
Multi-task Function for Great flexibility and Adaptability

EXP15's multi-task function provides operational adaptability and flexibility for maximizing material handling capacity and reducing labor intensity. It can learn and store up to 10 different routes with precise point-to-point navigation and automatic drop-off. By the two buttons “+” and “-”, workers can easily switch tasks, reflecting EXP15’s signature simplicity. The EXP15 automates repetitive handling tasks and frees up labor from intensive work, which perfectly achieves human-machine collaboration.



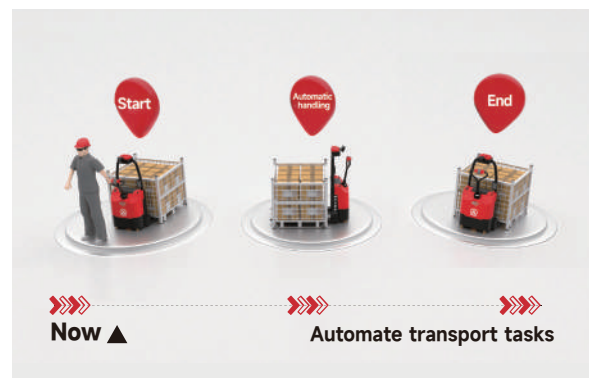
Safety

The EXP15 prioritizes safety without compromise. Built to meet all electric pallet truck safety standards, it goes further with dual laser protection systems—both up and down—ensuring comprehensive coverage and prevent collisions.



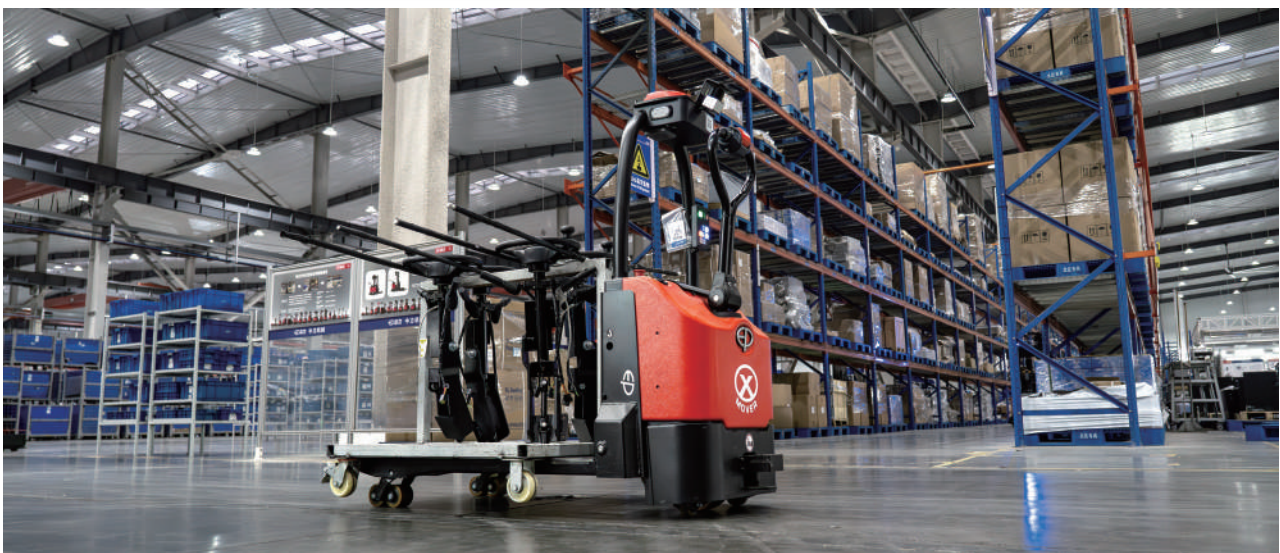
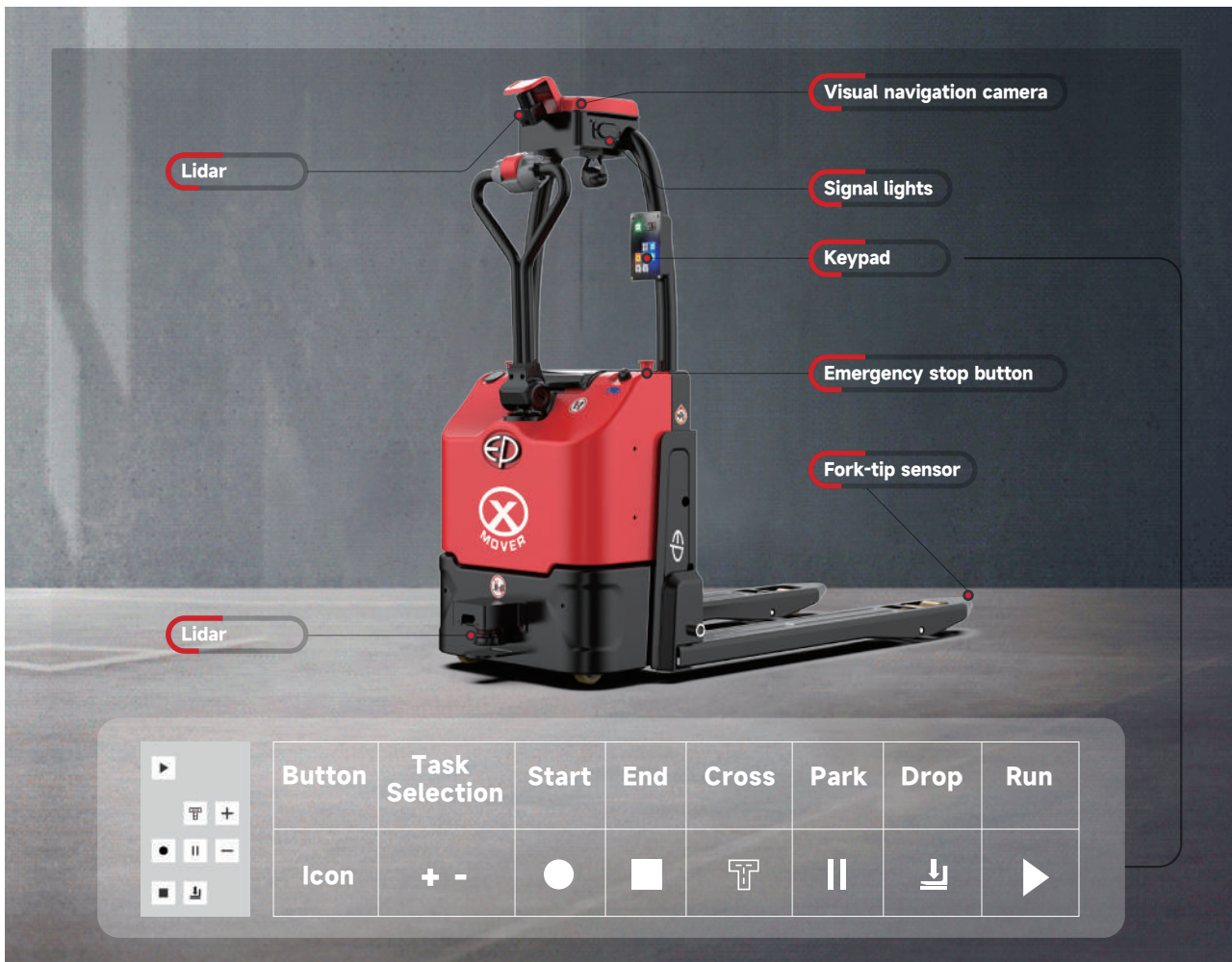
Solving labor challenge

Transform your operations from electric to automatic, reducing physical work intensity to zero. Experience dramatic cost savings with up to 80% reduction in labor expenses, while maintaining peak productivity.



■ Plug-in battery design

Stay productive with smart plug-in battery design. The EXP15 features a 24V/60Ah Li-ion battery system that can be manually swapped in moments, minimizing downtime and maximizing efficiency.

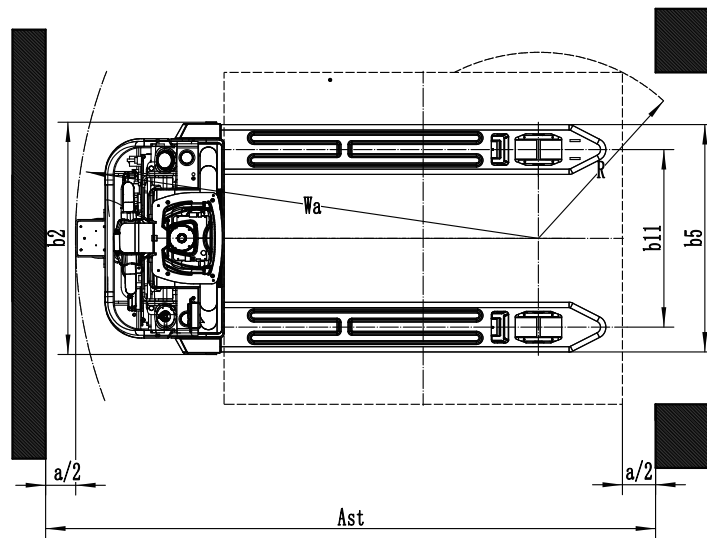
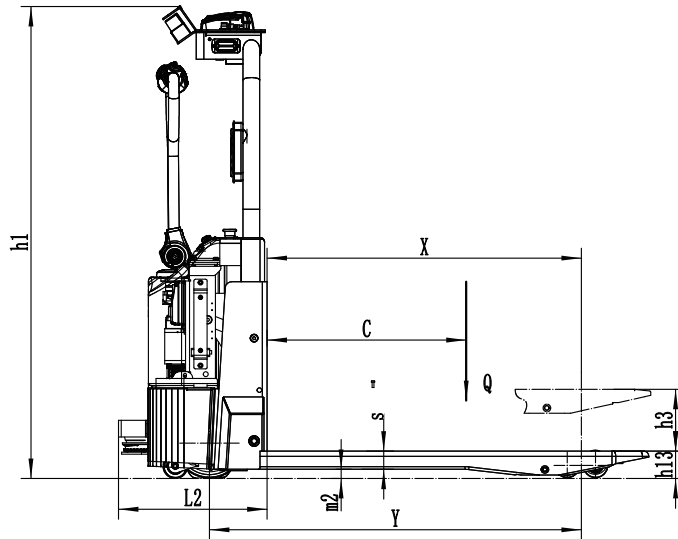


1500kg Automatic Pallet Truck

EXP15

| | | | | | |
|---------------------|----------------|---|--------------------|----------------|--|
| Distinguishing mark | 1.1 | Manufacturer | | | EP |
| | 1.2 | Model designation | | | EXP15 |
| | 1.3 | Drive | | | Electric |
| | 1.4 | Operator type | | | Pedestrian |
| | 1.5 | Load capacity | Q | kg | 1500 |
| | 1.6 | Load center distance | c | mm | 600 |
| | 1.8 | Load distance, centre of drive axle to fork | x | mm | 950 |
| | 1.9 | Wheelbase | y | mm | 1130 |
| | Service weight | 2.1 | Service weight | | kg |
| 2.2 | | Axle loading, laden front/rear | | kg | 1100/700 |
| 2.3 | | Axle loading, unladen front/rear | | kg | 30/200 |
| Dimensions | 4.2 | Overall height | h1 | mm | 1420 |
| | 4.4 | Lift height | h3 | mm | 90 |
| | 4.15 | Lowered height | h13 | mm | 85 |
| | 4.19 | Overall length | l1 | mm | 1620 |
| | 4.20 | Length to face of forks | l2 | mm | 450 |
| | 4.21 | Overall width | b1/b2 | mm | 636 (650) (700) |
| | 4.22 | Fork dimensions | s/e/l | mm | 55/150/1150 |
| | 4.25 | Width over the forks | b5 | mm | 540/600/685 |
| | 4.32 | Ground clearance, center of wheelbase | | mm | 20 |
| | 4.34.1 | Aisle width for pallets 1000×1200 crossways | Ast | mm | 1860 |
| | 4.35 | Turning radius | Wa | mm | 1400 |
| Performance data | 5.1 | Travel speed, laden/unladen | | m/s | 1.1/1.25 |
| | 5.2 | Lifting speed, laden/unladen | | m/s | 0.020/0/035 |
| | 5.3 | Lowering speed, laden/unladen | | m/s | 0.058/0.046 |
| | 5.8 | Max. gradeability, laden/unladen | | % | 5/5 |
| | 5.10 | Service brake | | | Electromagnetic |
| Electric-engine | 6.1 | Drive motor rating S2 60 min | | kW | 0.9 |
| | 6.2 | Lift motor rating at S3 15% | | kW | 0.8 |
| | 6.4 | Battery voltage/nominal capacity | | V/Ah | 24/60 |
| | 6.5 | Battery weight | | kg | 14 |
| | Addition data | 8.1 | Type of drive unit | | |
| 10.5 | | Steering design | | | Electric |
| 10.7 | | Sound pressure level at the driver's ear | | dB(A) | <74 |
| 10.11 | | Indoor/Outdoor | | | Indoor |
| 10.12 | | Safety notification | | | Horn |
| 10.13 | | Safety protection | | | 180° Lidar Emergency stop button Fork-tip sensor |
| 10.14 | | Positioning | | | 2D visual navigation |
| 10.15 | | Parking accuracy | | mm | ±20 |
| 10.16 | | Navigation accuracy | | mm | ±20 |
| 10.17 | Battery type | | | Li-ion battery | |

If there are improvements of technical parameters or configurations, no further notice will be given. The diagram shown may contain non-standard configurations.



Option:

| OPTIONS | EXP15 |
|------------------------------|-----------------------------------|
| Fork length | ○1000●1150○1220○1350○1400○1500 |
| Fork width | ●540○600○685 |
| Lowered height | ●82 |
| Load wheel type | ●Double○Single |
| Load wheel material | ●PU |
| Drive wheel material | ●PU |
| Battery capacity | ●60AH |
| Charger | ●24V-20A External |
| Battery indicator | ●With hourmeter |
| Castor wheels | ●Yes and not customized |
| Vertical handle: Creep speed | ●Yes and not customized |
| Drive assembly | ●Large wheel unit |
| Tiller head | ●Double-grip large tiller |
| Note: | ●Standard ○Optional -Inconformity |

