

# NANO & MINI BENDI

## PEDESTRIAN VERY NARROW AISLE FORKLIFT

For increased efficiency and performance throughout your operation, the award winning Bendi articulated forklift is now available in a pedestrian version. Designed to operate effortlessly in confined spaces and aisles as small as 1600mm, the Nano & Mini Bendi are an impressive feat of design ingenuity and ideally suited for most applications. Now available with Rider Platform.

### Standard Features:

- 3.5m & 4.2m lift
- Innovative steering design
- 1350kg capacity
- 1.6 metre aisle
- Dual inside / Outside capability
- Integral sideshift and tilt
- Accommodates all pallet types unlike conventional pedestrian stackers
- 240 Volt on-board charger
- Rider platform - optional extra

### Ergonomics & Safety

- Safe & Easy to operate
- Stacks effortlessly in 1.6m aisles
- Unrivalled visibility due to standard proven 220° articulation
- Increased safety when stacking due to operators position when truck is articulated

### Drivetrain

- 220° over rotating steering
- Large soft tyres
- Powerful AC front wheel drive

### Electrical System

- 24v high capacity battery
- Maintenance Free AC Control
- Full featured battery and status display
- Provision for Radio Data Terminals

### Engineering

- Full backwards and forwards tilting mast
- Over-rotating articulation assembly for even more manoeuvrability
- Accepts all standard attachments
- Robust cast chassis design
- Patented design



# TRANSLIFT

WWW.TRANSLIFT.CO.UK  
SALES@TRANSLIFT.CO.UK  
CALL US: 01527 527 411

## TECHNICAL DATA NANO & MINI BENDI

Model				NANO	MB13
Capacity			kg	800	1350
Load centre			mm	500	500
Lift Height			mm	3500, 4200 & 4500	3500, 4200 & 4500
Power source				Traction Battery	Traction Battery
Unladen weight including battery			kg	3500	4500

Travel speed		Laden / Unladen	kph	4.0/4.5	4.0/4.5
Travel speed with platform down		Laden / Unladen	kph	6	6
Lift Speed		Laden / Unladen	m/s	0.3/0.5	0.3/0.5
Lower speed		Laden / Unladen	m/s	0.4/0.3	0.4/0.3

Minimum ground clearance	d		mm	60	60
Lost load centre	a		mm	270	270
Overall length to face of forks	c		mm	2000	2100
Overall length to face of forks with platform down	c		mm	2475	2575
Wheelbase	b		mm	1280	1280
Chassis width	f		mm	1160	1360
Chassis height	e		mm	1175	1175
Maximum gradient			%	10	10
Rotation Angle			°	220	220

Lift & steer pump rating			kW	6	6
Drive motor rating - AC			kW	4	4
Wheel size		Front / Rear	mm	400 x 200 / 300 x 150	400 x 200 / 350 x 150

Battery type (24v)		720	Ah	6PZSH540	8PZSH720
Minimum battery weight		720	kg	440	565

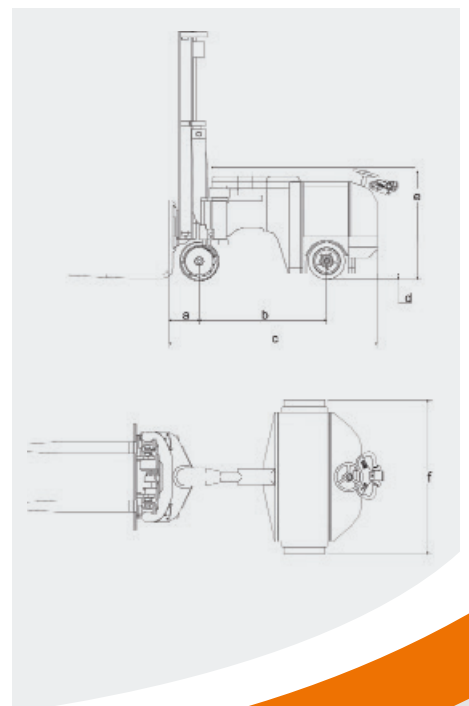


## TRIPLEX FULL FREE LIFT TILTING

Lift Height	Free Lift	Closed Height	Extended Height	Lift Height
3500mm	1250mm	2099mm	4350mm	3500mm
4200mm	1483mm	2339mm	5049mm	4200mm
4500mm	1590mm	2420mm	5349mm	4500mm

## AISLE DIMENSIONS

Load Depth x Width (j x i)	Minimum Clear Aisle
1000mm D x 1200mm W	1600mm
1200mm D x 1000mm W	1800mm
1200mm D x 800mm W	1800mm
Minimum clear transfer aisle	2500mm
Minimum end aisle clearance	750mm



# TRANSLIFT

WWW.TRANSLIFT.CO.UK  
SALES@TRANSLIFT.CO.UK  
CALL US: 01527 527 411

NANO & MINI BENDI TECHNICAL DATA