



# F4 with Scale

## ELECTRIC PALLET TRUCK WITH INTEGRATED SCALE 1.5T

1500 kg 105 mm 24 V Li-Ion



The F4 with scale is perfect for environments where both transport and weighing are frequent tasks, such as goods receiving areas, shipping points, and stock control in warehouses. Its 4-load-cell weighing system provides accurate results while on the move, reducing human error and improving stock management. The truck's compact size, Li-ion batteries, and optional stabilizing wheels ensure efficiency and flexibility in diverse applications.

SPECIFICATION	REF	UNIT	VALUE
Battery type			Li-Ion
Battery nominal capacity		Ah	20
Battery voltage		V	24
Load capacity	Q	kg	1500
Load centre distance	c	mm	600
Service weight		kg	155
Lift height	h <sub>3</sub>	mm	105
Overall length		mm	1575
Overall width	b <sub>1</sub> /b <sub>2</sub>	mm	695/590
Length to face of forks	l <sub>2</sub>	mm	425
Fork dimensions	s/e/l	mm	60/155/1150
Turning radius		Wa	1380
Operator type			Pedestrian
Load distance, centre of drive axle to fork		mm	955
Wheelbase		mm	1215
Axle loading, laden front/rear		kg	527/1128

# Features

## Integrated weighing system

The F4 with scale combines pallet transport and weighing in one device, equipped with 4 load cells and a digital display. This allows operators to weigh goods directly while moving them, improving accuracy, reducing the need for extra equipment, and streamlining warehouse workflows.



## Mobile efficiency

By eliminating the need for fixed weighing stations, the F4 with scale saves valuable time and floor space. Operators can check incoming goods or confirm shipping weights on the spot, which increases flexibility in busy logistics environments and boosts overall productivity.

## Battery flexibility

The truck operates with long-lasting Li-ion batteries, while the weighing display is powered by standard AA batteries. This setup ensures reliable performance, easy replacement, and extended autonomy, keeping the truck ready for continuous operations throughout the workday.



## Optional printer

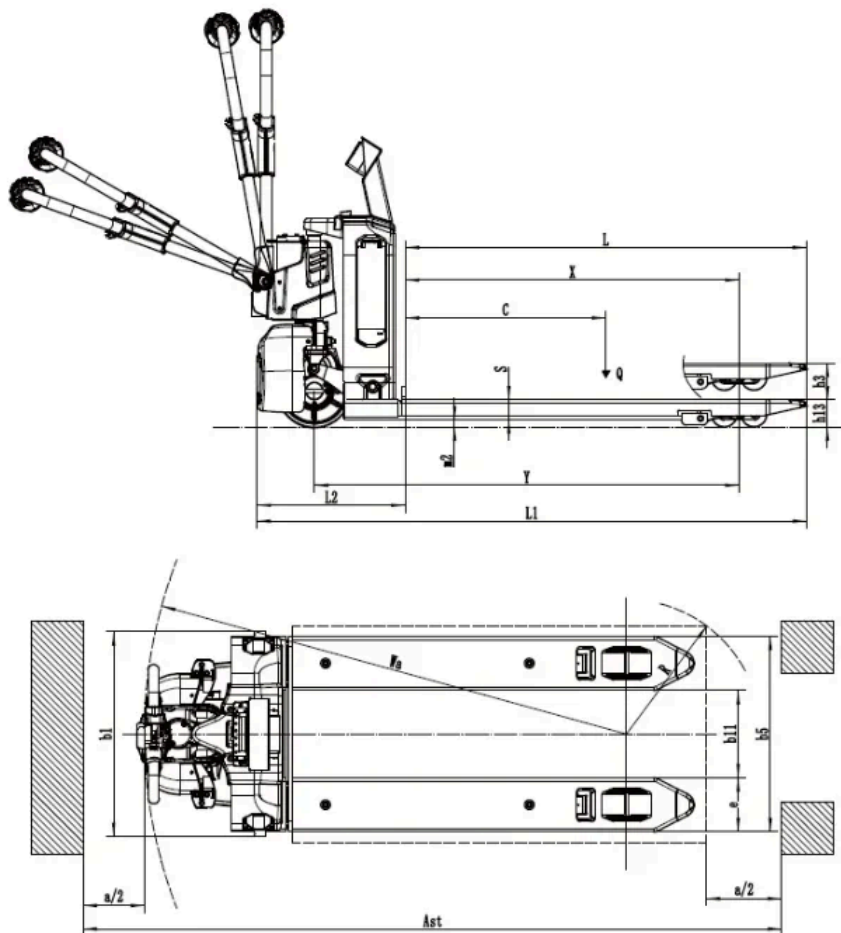
For even greater convenience, the F4 with scale can be equipped with a built-in printer. This feature allows operators to print gross, tare, and net weights in either kilograms or pounds, providing clear documentation that supports stock management and shipping processes.

# VDI Chart

	SPECIFICATION	REF	UNIT	VALUE
1.4	Operator type			Pedestrian
1.5	Load capacity	Q	kg	1500
1.6	Load centre distance	c	mm	600
1.8	Load distance, centre of drive axle to fork		mm	955
1.9	Wheelbase		mm	1215
2.1	Service weight		kg	155
2.2	Axle loading, laden front/rear		kg	527/1128
2.3	Axle loading, unladen front/rear		kg	116/39
3.1	Tyre type			Polyurethane
3.2	Tyre size, front		mm	210x70
3.3	Tyre size, rear		mm	Φ80x60 (Φ74x88)
3.4	Additional wheels (castor wheels)		mm	Φ74x30 (Optional)
3.5	Wheels, number front/rear (x=drive wheels)			1x 2/4, (1x 2/2)
3.7.1	Tread width, rear	b <sub>11</sub>	mm	530/405
4.0	Max lift height	H	mm	105
4.19	Overall length		mm	1575
4.20	Length to face of forks	l <sub>2</sub>	mm	425
4.21	Overall width	b <sub>1</sub> /b <sub>2</sub>	mm	695/590
4.22	Fork dimensions	s/e/l	mm	60/155/1150
4.34.1	Aisle width for pallets 1000x1200 crossways		Ast	2190
4.34.2	Aisle width for pallets 800x1200 lengthways		Ast	2055
4.35	Turning radius		Wa	1380
4.4	Lift height	h <sub>3</sub>	mm	105
5.1	Travel speed, laden/unladen		km/h	4 / 4.5
5.10	Service brake			Electromagnetic
5.2	Lifting speed, laden/unladen		m/s	0.017 / 0.023
5.3	Lowering speed, laden/unladen		m/s	0.035 / 0.053
5.8	Max. gradeability, laden/unladen		%	5 / 16
6.1	Drive motor rating S2 60 min		kW	0.75
6.2	Lift motor rating at S3 15%		kW	0.5
6.4	Battery nominal capacity		Ah	20
6.4	Battery voltage		V	24

SPECIFICATION	REF	UNIT	VALUE
6.4.1	Battery type		Li-Ion
6.5	Battery weight	kg	5
6.6	Energy consumption according to DIN EN 16796	kWh/h	0.124
8.1	Type of drive control		DC
10.5	Steering design		Mechanical
10.7	Sound pressure level at the drivers ear	dB(A)	74

## VDI Drawing



## Options

ITEM	OPTIONS (optional items marked in yellow)
Fork dimension	1150×560   900×560   1000×560   1220×560   1350×560   900×685   1000×685   1150×685   1220×685   1350×685   1500×560   1500×685
Fork lowered height	82

ITEM	OPTIONS (optional items marked in yellow)
Load wheel type	Double   Single
Handle head type	Hands small handle head
Load wheel material	PU
Drive wheel material	PU
Battery capacity	20Ah ×1   20Ah ×2
Charger	24V-5A external charger   24V-10A external charger
Battery display indicator (BDI)	Without hourmeter
Buzzer	Yes and not customized
Turtle speed	Yes and not customized
Castor wheels	No   Yes and not customized
Drive assembly	Yes and not customized