

EFX4-353

PRODUCT DATASHEET

 3500 kg
  6000 mm
  80 V Li-Ion



The EFX4-353 is engineered for heavy-duty logistics and high-intensity industrial environments. Its robust chassis and strong gradeability make it perfect for both indoor and outdoor usage, including slopes and uneven surfaces. Thanks to the lateral-swap battery system, this truck specifically excels in multi-shift scenarios—such as large distribution centers, manufacturing plants, and the beverage industry—where 24/7 continuous operation is required without downtime.

SPECIFICATION	REF	UNIT	VALUE
Battery type			Li-Ion
Battery nominal capacity K5		Ah	560
Battery voltage		V	80
Rated capacity	Q	kg	3500
Load centre distance	c	mm	500
Service weight		kg	5058
Height, mast lowered	h_1	mm	2070
Lift	h_3	mm	3000
Height, mast extended	h_4	mm	4130
Overall length	l_1	mm	3735
Overall width	b_1/b_2	mm	1228
Length to face of forks	l_2	mm	2665
Fork dimensions	s/e/l	mm	50×122×1070
Turning radius	Wa	mm	2428
Manufacturer			EP
Model designation			EFX4-353

Features

Lateral Battery Swap for Extended Runtime

Extended Runtime: Long-lasting 560Ah lithium battery meets high-intensity and long-time operations.

Lateral Battery Swap: The lateral battery swap design boosts efficiency and minimizes truck downtime.



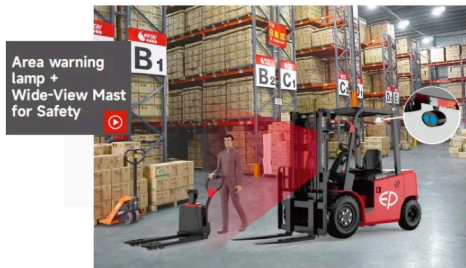
OPS system



Swappable or Direct Charge



LED Display



Optimized Ergonomics for Greater Comfort

- OPS system for enhanced safety.
- A wide-view mast design reduces blind spots and improves safety.
- Informative LED display
- Rear grab handle with a horn button for more convenient operation.
- The large foot brake pedal is designed for fatigue-free operation.

Robust Design for High-Intensity Conditions

Improved performance for high-intensity and heavy-duty environments

- Max travel speed: 17 km/h
- Max gradeability: 25%
- Lifting speed (laden/unladen) : 0.37/0.51m/s

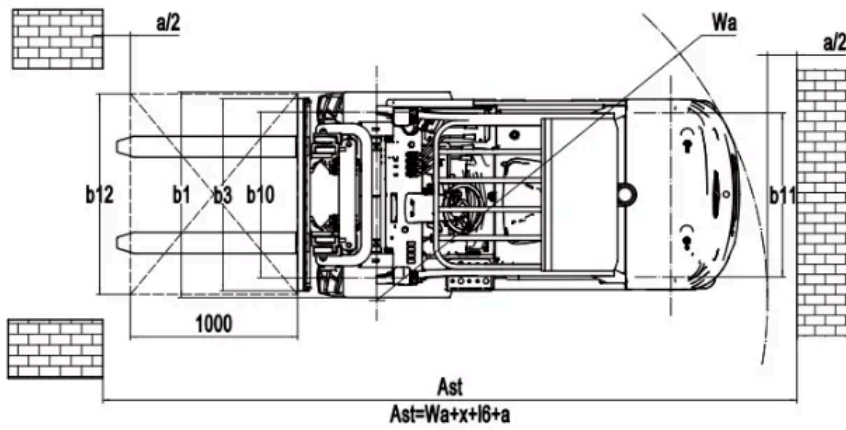
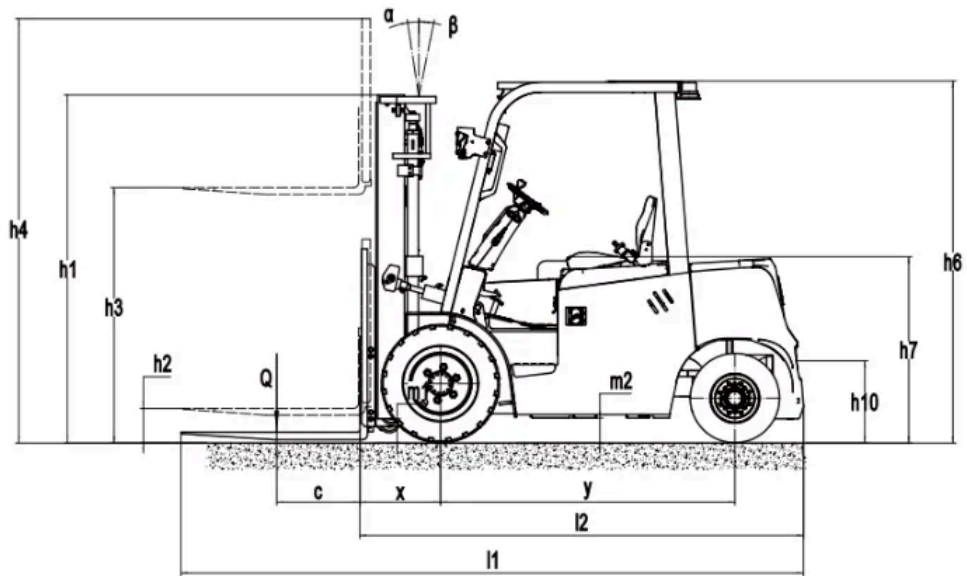


VDI Chart

	SPECIFICATION	REF	UNIT	VALUE
1.1	Manufacturer			EP
1.2	Model designation			EFX4-353
1.3	Drive			Electric
1.4	Operator type			Seated
1.5	Rated capacity	Q	kg	3500
1.6	Load centre distance	C	mm	500

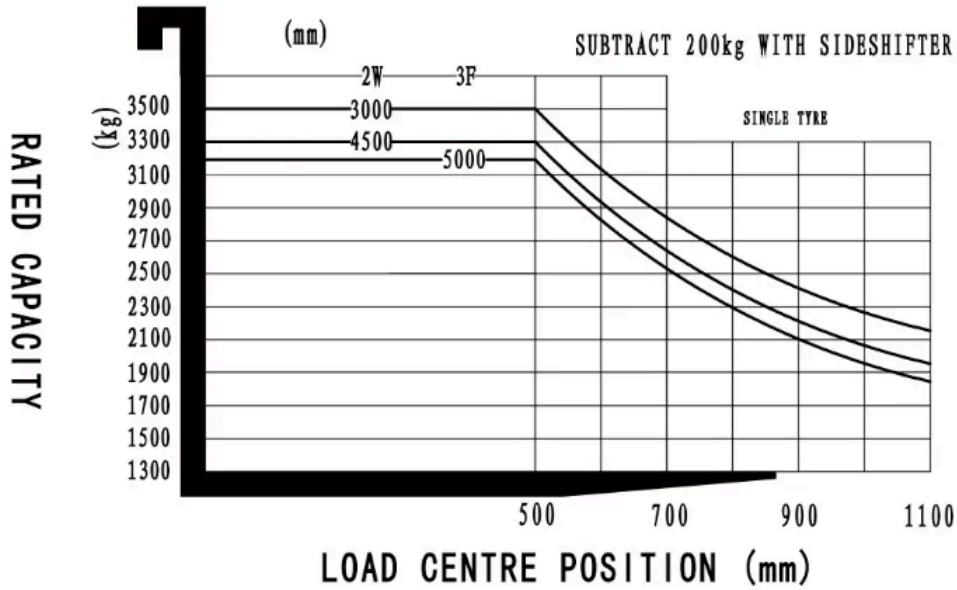
	SPECIFICATION	REF	UNIT	VALUE
1.8	Load distance, centre of drive axle to fork	x	mm	486
1.9	Wheelbase	y	mm	1760
2.1	Service weight		kg	5058
2.2	Axle loading, laden front/rear		kg	7705/853
2.3	Axle loading, unladen front/rear		kg	2244/2814
3.1	Tyres			Pneumatic
3.2	Tyre size, front		mm	28X9-15-14PR
3.3	Tyre size, rear		mm	6.50-10-10PR
3.5	Wheels, number front/rear (x=drive wheels)			2x/2
3.6	Tread width, front	b ₁₀	mm	989
3.7	Tread width, rear	b ₁₁	mm	980
4.1	Tilt of mast/fork carriage forward/backward		°	6/10
4.2	Height, mast lowered	h ₁	mm	2070
4.3	Free lift	h ₂	mm	130
4.4	Lift	h ₃	mm	3000
4.5	Height, mast extended	h ₄	mm	4130
4.7	Height of overhead guard (cabin)		mm	2143
4.8	Seat height relating to SIP/stand height		mm	1141
4.12	Coupling height		mm	468
4.19	Overall length	l ₁	mm	3735
4.20	Length to face of forks	l ₂	mm	2665
4.21	Overall width	b ₁ /b ₂	mm	1228
4.22	Fork dimensions	s/e/l	mm	50×122×1070
4.23	Fork carriage ISO 2328, class/type A, B			3A
4.24	Fork carriage width		mm	1100
4.31	Ground clearance, laden, below mast		mm	125
4.32	Ground clearance, centre of wheelbase	m ₂	mm	130
4.34.1	Aisle width for pallets 1000×1200 crossways	Ast	mm	4115
4.34.2	Aisle width for pallets 800 × 1200 lengthways	Ast	mm	4315
4.35	Turning radius	Wa	mm	2428
5.1	Travel speed, laden/unladen		km/h	16/17
5.2	Lift speed, laden/unladen		m/s	0.37/0.51
5.3	Lowering speed, laden/unladen		m/s	0.41/0.44
5.8	Max. gradeability, laden/unladen		%	18/25

	SPECIFICATION	REF	UNIT	VALUE
5.10	Service brake			Hydraulic
5.11	Parking brake			Mechanical
6.1	Drive motor rating S2 60 min		kW	16
6.2	Lift motor rating at S3 15%		kW	30
6.4	Battery nominal capacity K5		Ah	560
6.4	Battery voltage		V	80
6.4.1	Battery type			Li-Ion
6.5	Battery weight		kg	439
8.1	Type of drive unit			AC+PMSM
10.1	Operating pressure for attachments		bar	180
10.2	Oil volume for attachments		ℓ/min	35
10.5	Steering design			Hydraulic
10.7	Sound pressure level at the driver's seat		dB(A)	< 74



EFX4-353

RATED CAPACITIES AND LOAD CENTERES GRAPH



Mast Options

MAST TYPE	LIFT HEIGHT (H3, MM)	MAST LOWERED HEIGHT (H1, MM)	MAST EXTENDED HEIGHT, NO BACKREST (H4, MM)	MAST EXTENDED HEIGHT, WITH BACKREST (H4, MM)	FREE LIFT HEIGHT, NO BACKREST (H2, MM)	FREE LIFT HEIGHT, WITH BACKREST (H2, MM)
2-Standard Mast	3000	2065	3665	4130	135	135
2-Standard Mast	3300	2215	3965	4430	135	135
2-Standard Mast	3500	2315	4165	4630	135	135
2-Standard Mast	3600	2365	4265	4730	135	135
2-Standard Mast	4000	2615	4665	5130	135	135
2-Standard Mast	4500	2865	5165	5630	135	135
2-Free Mast	3000	2045	3715	4175	1410	950
2-Free Mast	3300	2195	4015	4475	1560	1100
2-Free Mast	3600	2345	4315	4775	1710	1250
3-Free Mast	4300	2080	5030	5435	1390	985
3-Free Mast	4500	2160	5220	5625	1470	1065
3-Free Mast	4800	2265	5520	5925	1575	1170

MAST TYPE	LIFT HEIGHT (H3, MM)	MAST LOWERED HEIGHT (H1, MM)	MAST EXTENDED HEIGHT, NO BACKREST (H4, MM)	MAST EXTENDED HEIGHT, WITH BACKREST (H4, MM)	FREE LIFT HEIGHT, NO BACKREST (H2, MM)	FREE LIFT HEIGHT, WITH BACKREST (H2, MM)
3-Free Mast	5000	2350	5720	6125	1660	1255
3-Free Mast	5500	2600	6220	6625	1910	1505
3-Free Mast	6000	2850	6720	7125	2160	1755

Options

ITEM	OPTIONS (optional items marked in yellow)
Fork dimension	122*50*1070 122*50*1150 122*50*1220 122*50*1370 122*50*1520 122*50*1600 122*50*1700 122*50*1820 122*50*2000 122*50*2200 122*50*2420
Front wheel material	Pneumatic Normal solid Non-marking solid
Rear wheel material	Pneumatic Normal solid Non-marking solid
Battery capacity	80V/560AH
Charger	80V-60A External charger 80V100A External charger 80V150A External charger 80V200A External charger
Battery display indicator (BDI)	With hourmeter (Bluetooth) without ESP
Seat type	Comfortable Regular Suspension Suspension with armrest
Attachments	No Built-in sideshifter External sideshifter Fork positioner with sideshift
Traction pin	Yes and not customized
Anti-static chain	Yes and not customized
Front lamp	LED
Rear lamp	No LED
Warning lamp	Yes and not customized
Steering lamp	LED
Blue lamp	No Rear Front and rear
Area warning lamp	No Both sides Both sides and rear
Rearview mirror	One in front Two on sides and one in front
Buzzer	Yes and not customized
OPS system	Yes and not customized
USB interface	No Yes and not customized
Telematics	Yes and not customized

ITEM	OPTIONS (optional items marked in yellow)
Cabin	No
Overhead guard	No With tempered glass
Clamp interlock	No
Turn speed control	No
Heating system during lithium battery charging	No Yes and not customized
Operator identification device	No Card reader Fingerprint lock
Lifting electronic limit	No Yes and not customized
Hydraulic control	Mechanical lever
Rear armrest horn	Yes and not customized
Lifting and lowering function	Proportional lifting
Windshield washer system	No