



EFL203P

4-WHEEL LI-ION COUNTERBALANCE FORKLIFT 2000KG

2000 kg 6000 mm 80 V Li-Ion



Indoor & Outdoor: With a robust design, EFL203(P) electric forklift is ideal for both indoor and outdoor applications.

All Weather & Terrain: Big tyres, high ground clearance, and water-resistant design make it an all-weather solution for rough terrains.

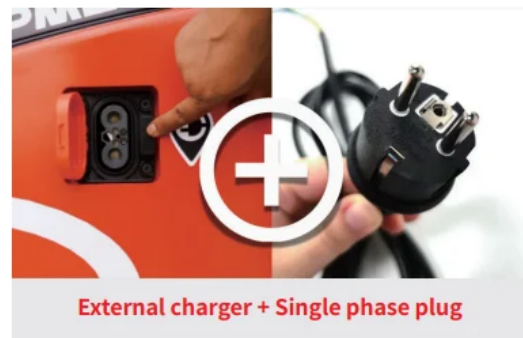
Long Runtime Operations: Suitable for demanding scenarios requiring nearly 24/7 operation with Li-ion's opportunity charging and large battery capacity options.

SPECIFICATION	REF	UNIT	VALUE
Battery type			Li-Ion
Battery nominal capacity		Ah	230
Battery voltage		V	80
Load capacity	Q	kg	2000
Load centre distance	c	mm	500
Service weight		kg	3540
Retracted mast height	h_1	mm	2090
Lift height	h_3	mm	3000
Height, mast extended	h_4	mm	4025
Overall length		mm	3426
Overall width	b_1/b_2	mm	1154
Length to face of forks	l2	mm	2356
Fork dimensions	s/e/l	mm	40×122×1070
Turning radius		Wa	2110
Operator type			Seated
Load distance, centre of drive axle to fork		mm	495

Features

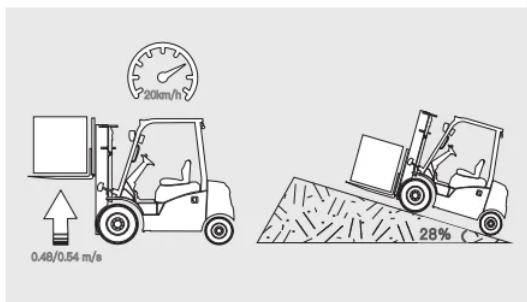
Dual charging system for maximum flexibility

The EFL203(P) includes both an integrated single-phase charger and an external charging port, allowing operators to charge anywhere, anytime. Combined with optional 80V/460Ah Li-ion batteries, this system supports long runtime and efficient multi-shift use.



Two performance versions to fit every need

Available in standard and premium versions, the EFL203(P) meets different operational demands. The premium version achieves travel speeds up to 20 km/h, lift speeds of 0.54 m/s, and gradeability of 28%, ensuring fast and efficient performance in intensive applications



High ground clearance and outdoor durability

Equipped with large pneumatic tires and 150 mm ground clearance, the EFL203(P) easily handles uneven terrain. Its waterproof construction allows reliable operation even in rain or damp environments, making it suitable for mixed indoor-outdoor logistics



Modern design and improved visibility

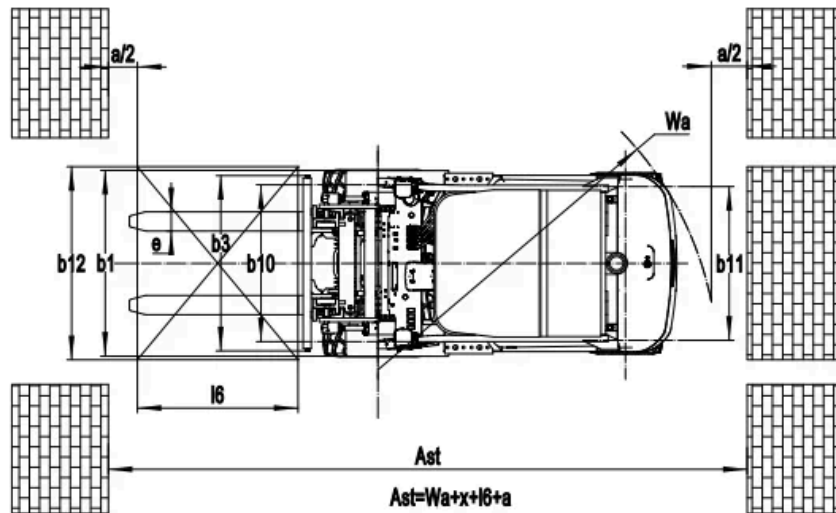
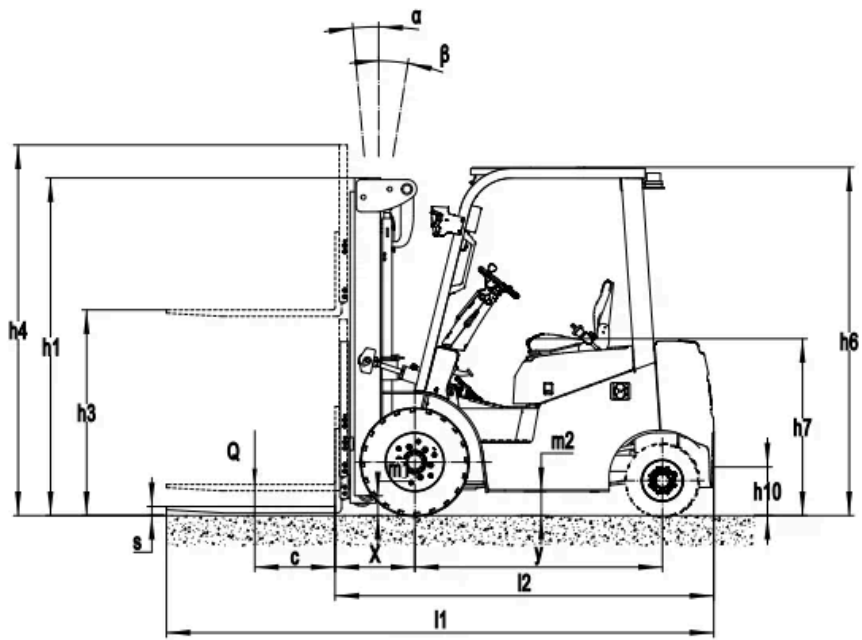
The EFL203(P) adopts a streamlined counterweight and a newly engineered mast layout for improved sightlines. The bolted overhead guard and optimized hose positioning ensure safer and more accurate load handling, while the large LED display and bright LED lights enhance visibility in all conditions



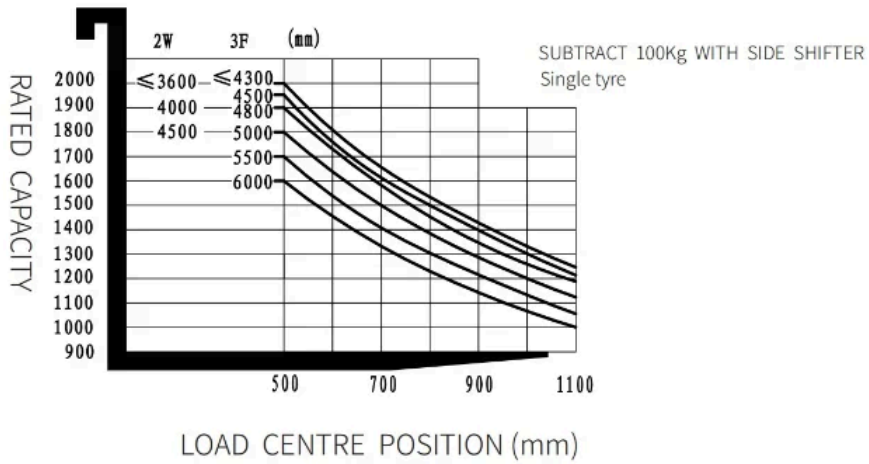
VDI Chart

	SPECIFICATION	REF	UNIT	VALUE
1.4	Operator type			Seated
1.5	Load capacity	Q	kg	2000
1.6	Load centre distance	c	mm	500
1.8	Load distance, centre of drive axle to fork		mm	495
1.9	Wheelbase		mm	1540
2.1	Service weight		kg	3540
2.2	Axle loading, laden front/rear		kg	4930/610
2.3	Axle loading, unladen front/rear		kg	1640/1900
3.1	Tyre type			Pneumatic
3.2	Tyre size, front		mm	7.00-12-12PR
3.3	Tyre size, rear		mm	18X7-8-14PR
3.5	Wheels, number front/rear (x=drive wheels)			2x/ 2
3.6.1	Tread width, front	b_{10}	mm	975
3.7.1	Tread width, rear	b_{11}	mm	955
4.0	Max lift height	H	mm	6000
4.1	Tilt of mast/fork carriage forward/backward		°	6/ 10
4.12	Tow coupling height		mm	310
4.19	Overall length		mm	3426
4.2	Retracted mast height	h_1	mm	2090
4.20	Length to face of forks	l2	mm	2356
4.21	Overall width	b_1/b_2	mm	1154
4.22	Fork dimensions	s/e/l	mm	40×122×1070
4.23	A,B Fork carriage class/type A, B			2A
4.24	Fork carriage width		mm	1040
4.26	Distance between wheel arms/loading surfaces			150
4.3	Free lift		mm	120
4.31	Ground clearance, laden, below mast		mm	125
4.32	Ground clearance, centre of wheelbase		mm	150
4.34.1	Aisle width for pallets 1000×1200 crossways		Ast	3805
4.34.2	Aisle width for pallets 800×1200 lengthways		Ast	4005
4.35	Turning radius		Wa	2110
4.4	Lift height	h_3	mm	3000

	SPECIFICATION	REF	UNIT	VALUE
4.5	Height, mast extended	h_4	mm	4025
4.7	Height of overhead guard (cabin)		mm	2165
4.8	Seat height/standing height		mm	1095
5.1	Travel speed, laden/unladen		km/h	19/20
5.10	Service brake			Hydraulic
5.11	Parking brake			Mechanical
5.2	Lifting speed, laden/unladen		m/s	0.48/0.54
5.3	Lowering speed, laden/unladen		m/s	0.43/0.44
5.8	Max. gradeability, laden/unladen		%	22/28
6.1	Drive motor rating S2 60 min		kW	15
6.2	Lift motor rating at S3 15%		kW	18
6.4	Battery nominal capacity		Ah	230
6.4	Battery voltage		V	80
6.4.1	Battery type			Li-Ion
8.1	Type of drive control			AC
10.5	Steering design			Hydraulic
10.7	Sound pressure level at the drivers ear		dB(A)	<74



RATED CAPACITIES AND LOAD CENTERS GRAPH



Mast Options

MAST TYPE	LIFT HEIGHT (H3, MM)	MAST LOWERED HEIGHT (H1, MM)	MAST EXTENDED HEIGHT, NO BACKREST (H4, MM)	MAST EXTENDED HEIGHT, WITH BACKREST (H4, MM)	FREE LIFT HEIGHT, NO BACKREST (H2, MM)	FREE LIFT HEIGHT, WITH BACKREST (H2, MM)	FORWARD TILT (A, DEG)	BACKWARD TILT (B, MM)
2-Standard Mast	3000	2090	3595	4060	195	195	6	10
2-Standard Mast	3300	2240	3895	4360	195	195	6	10
2-Standard Mast	3500	2340	4095	4560	195	195	6	10
2-Standard Mast	3600	2390	4195	4660	195	195	6	10
2-Standard Mast	4000	2640	4595	5060	195	195	6	6
2-Standard Mast	4500	2890	5095	5560	195	195	6	6
2-Free Mast	3000	2035	3765	4100	1345	1010	6	10
2-Free Mast	3300	2185	4065	4400	1495	1160	6	10
2-Free Mast	3600	2335	4365	4700	1645	1310	6	10
3-Free Mast	4300	2080	5040	5355	1370	1055	6	6
3-Free Mast	4500	2160	5230	5545	1450	1135	6	6
3-Free Mast	4800	2265	5530	5845	1555	1240	6	6
3-Free Mast	5000	2350	5730	6045	1640	1325	6	6
3-Free Mast	5500	2600	6230	6545	1890	1575	6	6

MAST TYPE	LIFT HEIGHT (H3, MM)	MAST LOWERED HEIGHT (H1, MM)	MAST EXTENDED HEIGHT, NO BACKREST (H4, MM)	MAST EXTENDED HEIGHT, WITH BACKREST (H4, MM)	FREE LIFT HEIGHT, NO BACKREST (H2, MM)	FREE LIFT HEIGHT, WITH BACKREST (H2, MM)	FORWARD TILT (A, DEG)	BACKWARD TILT (B, MM)
3-Free Mast	6000	2850	6730	7045	2140	1825	6	6
3-Free Mast	6500	3100	7230	7545	2390	2075	3	5

Options

ITEM	OPTIONS (optional items marked in yellow)
Fork dimension	122*40*920 122*40*1070 122*40*1150 122*40*1220 122*40*1370 122*40*1500 122*40*1600 122*40*1700 122*40*1820 122*40*1900 122*40*2000 122*40*2200
Seat type	Comfortable + safety belt switch Suspension with safety belt switch
Attachments	Built-in sideshifter External shifter Fork positioner with sideshift Clamp
Traction pin	Yes and not customized
Electrostatic chain	Yes and not customized
Front wheel material	Pneumatic Normal solid Traceless solid
Rear wheel material	Pneumatic Normal solid Traceless solid
Battery capacity	80V230AH 80V410AH 80V460AH
Charger	80V35A integrated 80V60A integrated 80V60A 80V100A 80V150A 80V200A(410/460AH) 80V280AH
Battery display indicator (BDI)	With hourmeter (Bluetooth) with PSE
Area warning lamp	No Both sides Both sides and rear
Rearview mirror	One on the front Two on sides Two on sides and one on the front
Buzzer	Yes and not customized
OPS system	Yes and not customized
USB interface	Yes and not customized
Telematics	Yes and not customized
Front lamp	LED
Rear lamp	No LED
Warning lamp	Yes and not customized
Steering lamp	LED
Blue lamp	No Rear Front and rear
Cabin	No Basic half cabin Upgrade half cabin Full cabin

ITEM	OPTIONS (optional items marked in yellow)
Overhead guard	With tempered glass No
Clamp interlock	No clamp interlock
Turn speed control	No Yes and not customized
Heating system during lithium battery charging	No Yes and not customized
Operator identification device	No Card reader
Lifting electronic limit	No Yes and not customized
Hydraulic control	Mechanical lever
Rear armrest horn	Yes and not customized